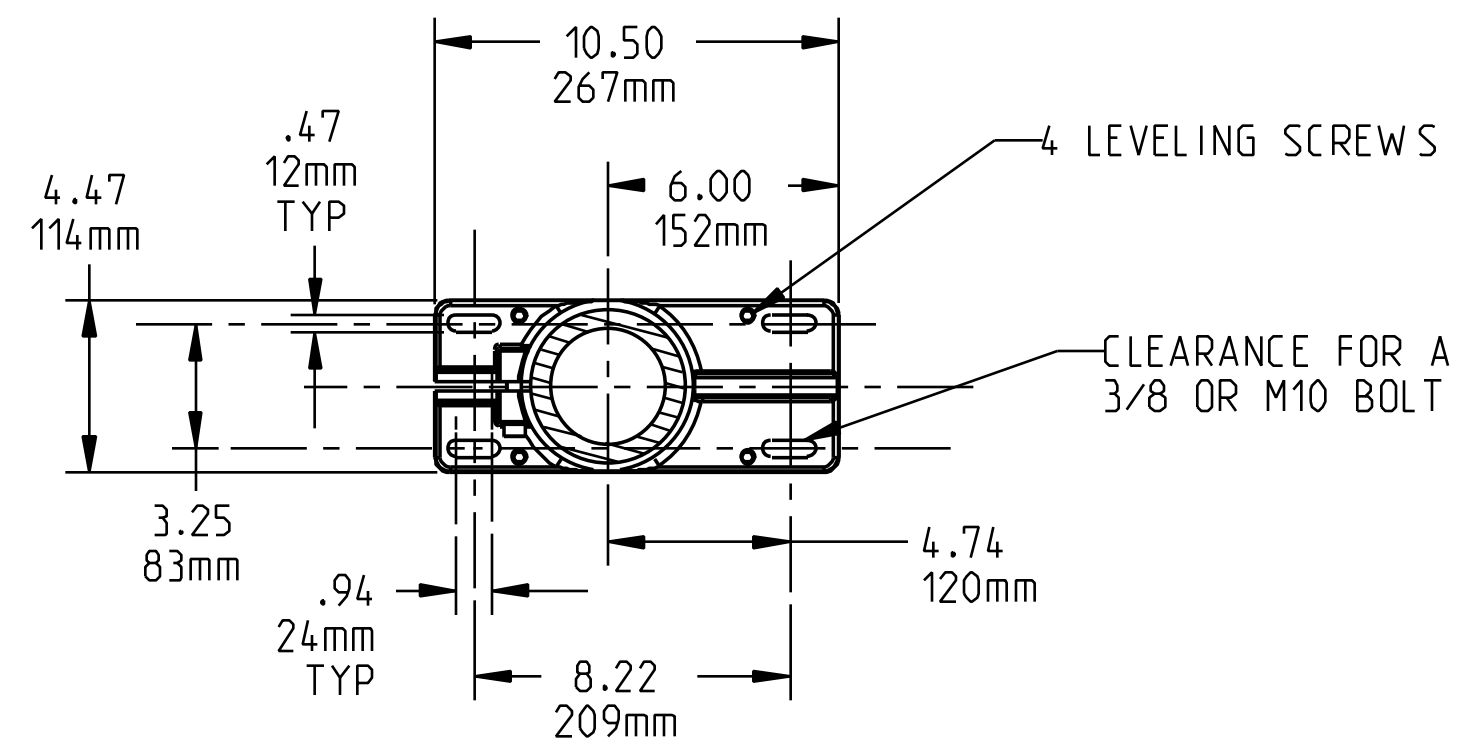


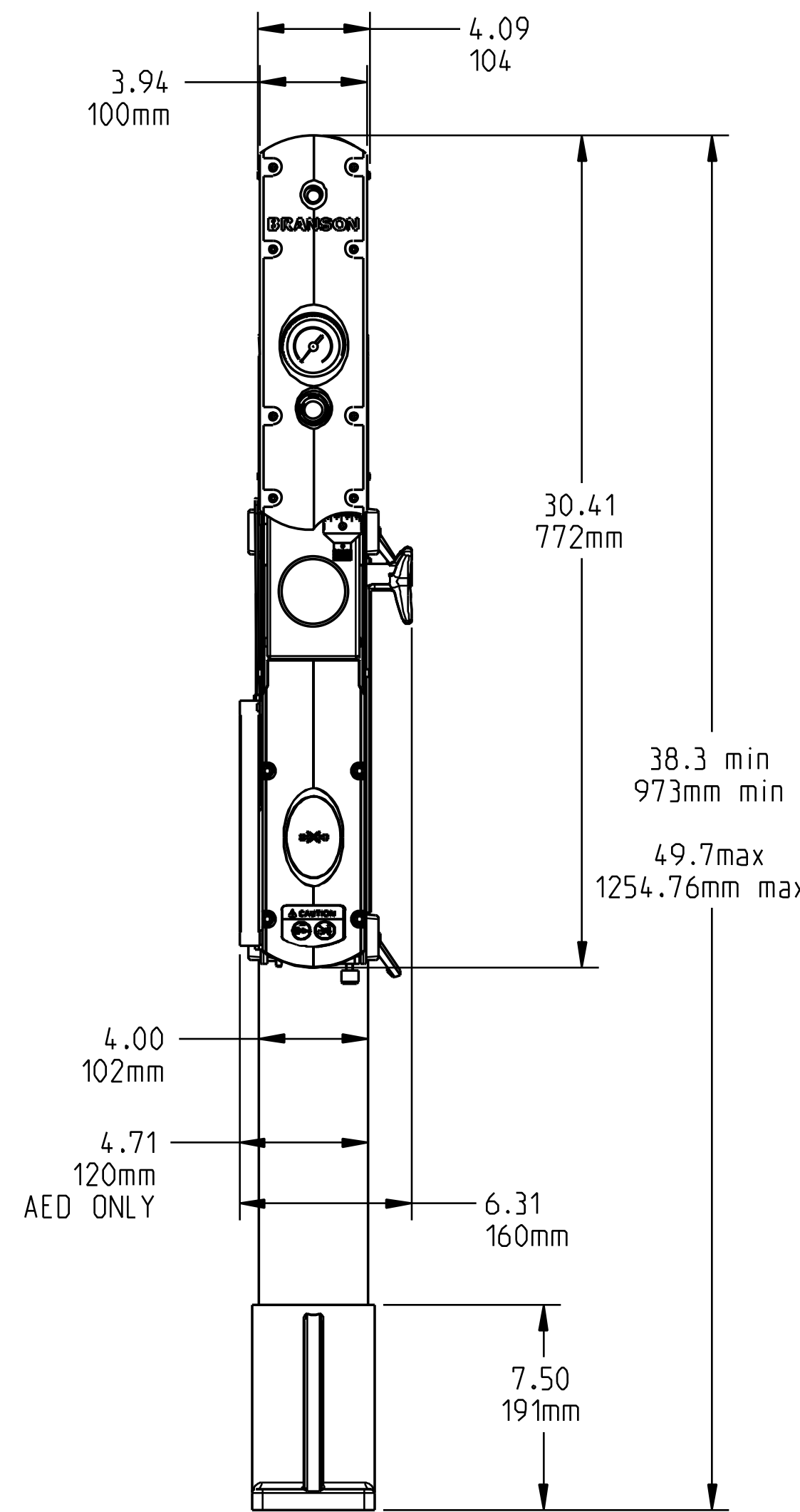
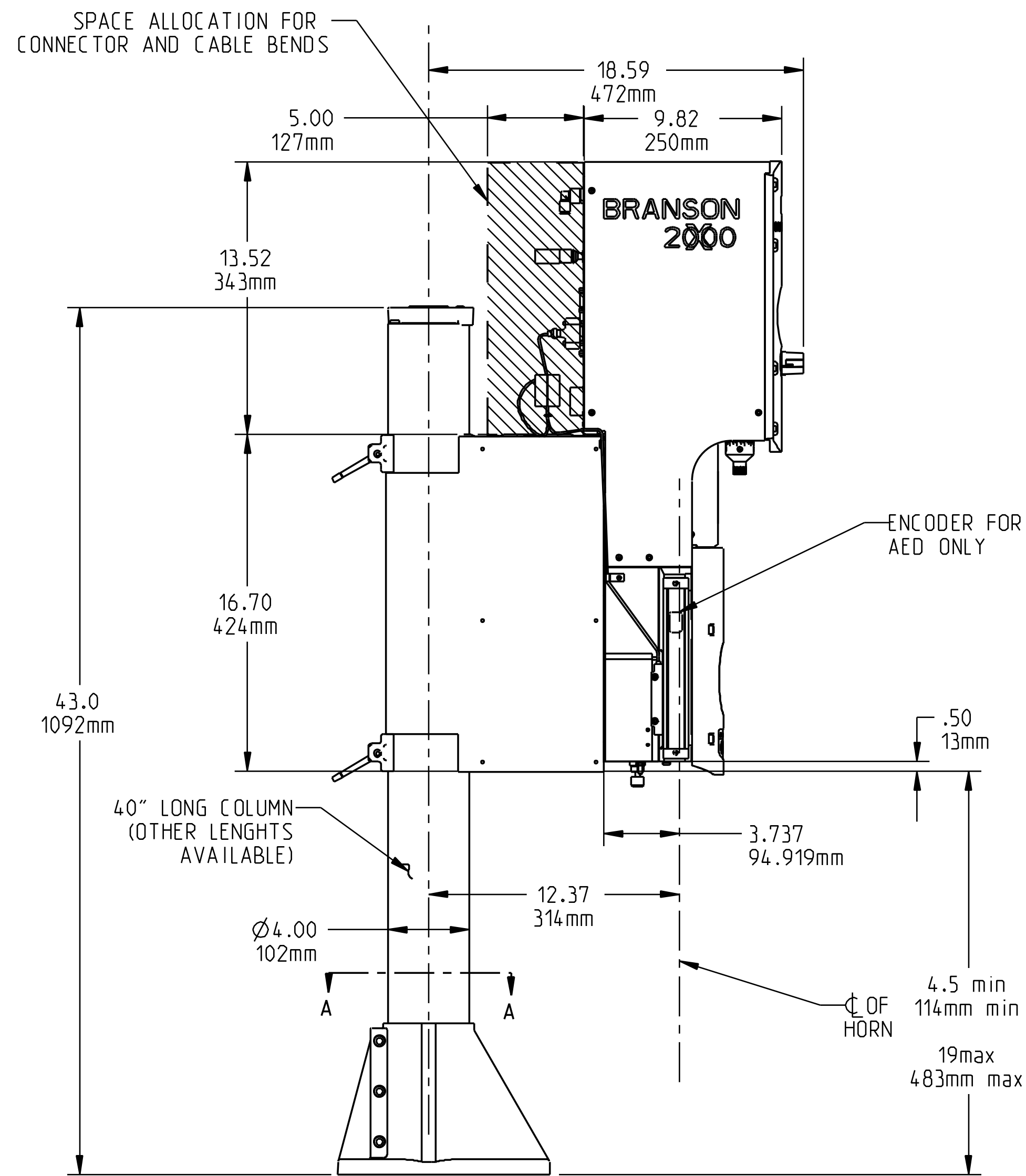
REVISIONS				
REV.	DESCRIPTION	DATE	ECO/ECN	APPL
1	49.4" 1254.76 max. dim was 61.8" 1570mm. 19" 483mm Dim was 28" 711mm. 3.737" 94.919mm Dim was 3.75" 95mm	10-16-08	18151	JJF/NLG



SECTION A-A

HORN DIMENSIONS	FREQUENCY			DIMENSION SHOWN ARE APPROXIMATE TO ALLOW FOR DIFFERENT BOOSTER GAIN HORN DESIGN. MATERIAL AND TUNING. ALL HORN DIMENSIONS ARE FOR 1/2 WAVE DESIGNS. ALLOW FOR ADJUSTABILITY AND POTENTIAL TOOLING CHANGE
	20 KHz	30 KHz	40 KHz	
	2.12 TO 2.75	1.30 TO 1.54	0.69 TO 0.94	
	5 TO 5.50	2.97 TO 3.80	2.5 TO 2.75	

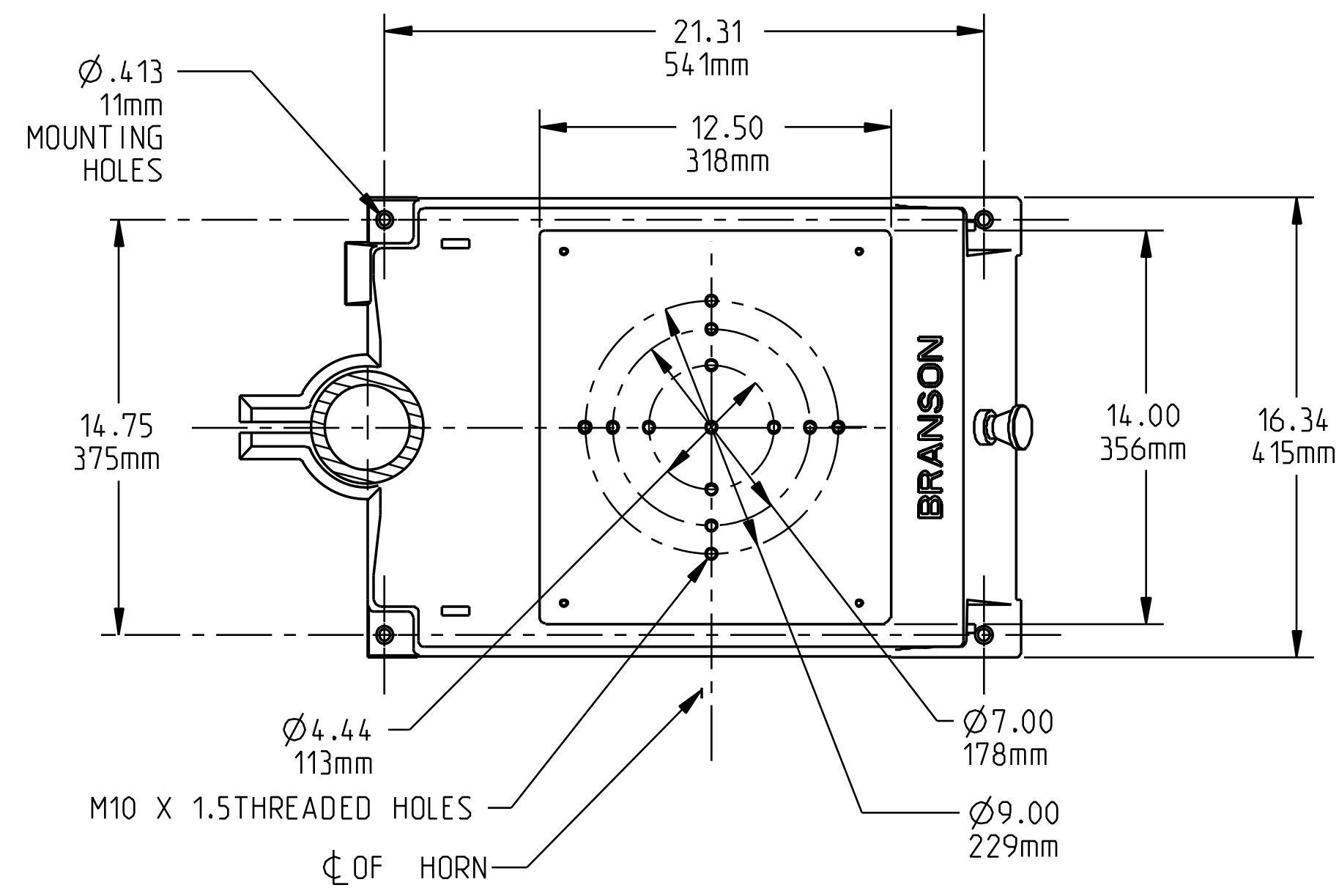
HORN WIDTH AND LENGTH WILL VARY WITH EACH DESIGN



NOTES:
1. ALL DIMENSIONS ARE APPROXIMATE.
2. SEE SHEET 2 FOR BASE MOUNT.
SHEET 3 FOR ACTUATOR ONLY.

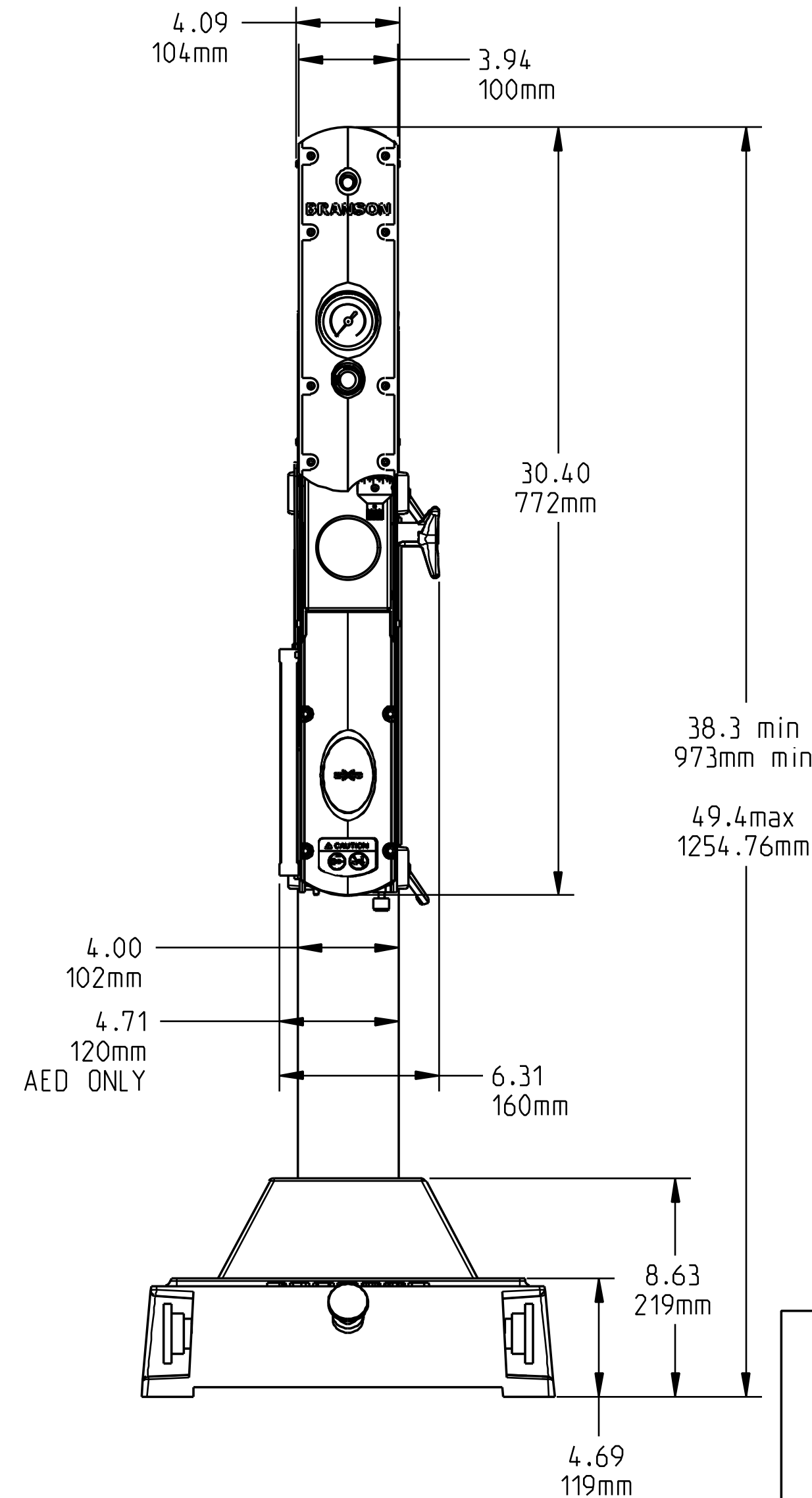
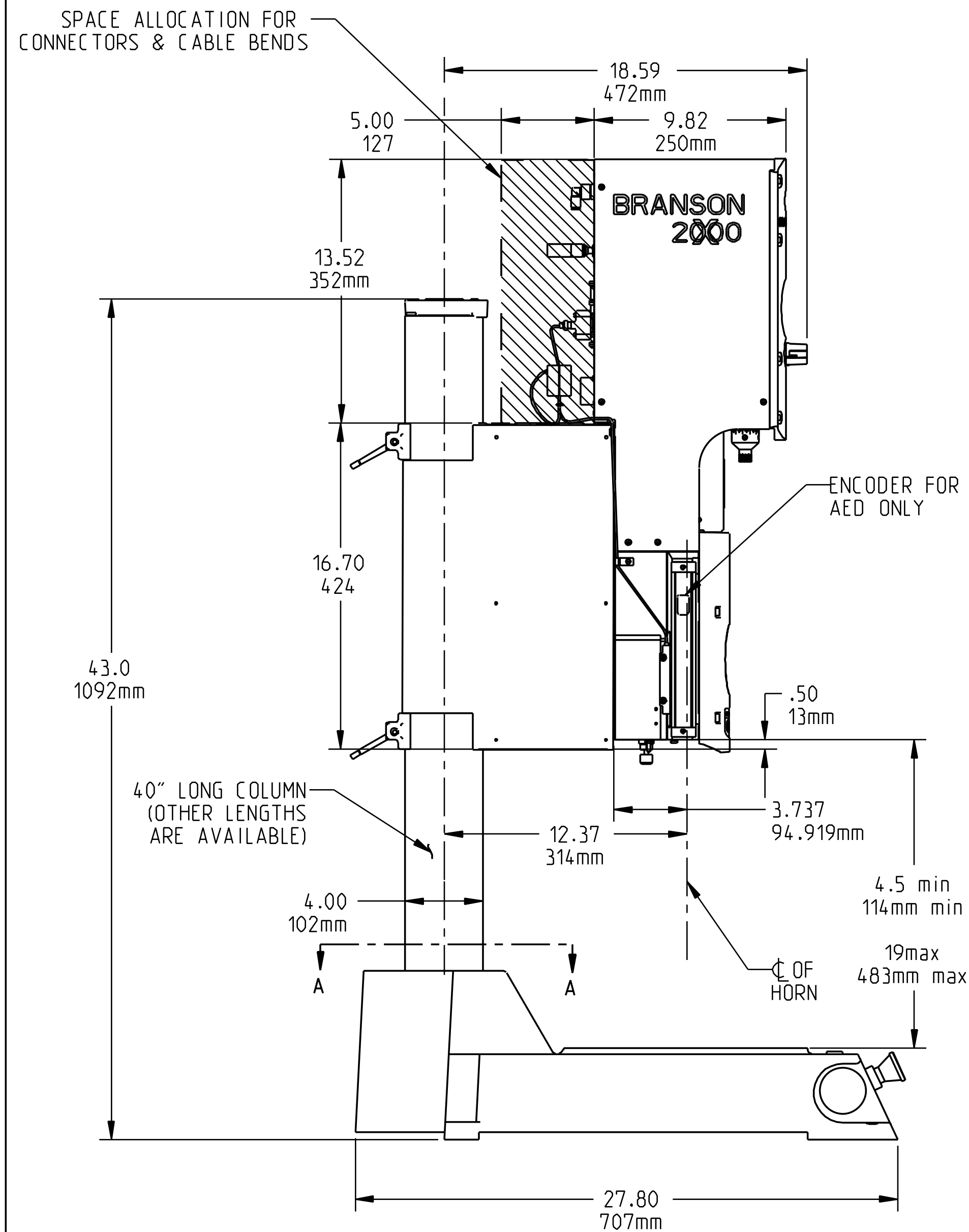
<small>This PROPRIETARY Document is the property of Branson Ultrasonics Corp., Danbury CT. It is confidential in nature, non-transferable, and issued with the clear understanding that it is not to be copied without permission and is returnable upon demand. Article or Material must comply with the requirements stipulated by RoHS in its current version of 27 January, 2003.</small>	DO NOT SCALE THIS DRAWING.	MATERIAL	DATE	BRANSON ULTRASONICS CORP. <small>41 EAGLE ROAD, DANBURY, CT 06813-1961 (203) 796-0100</small>			
	UNLESS OTHERWISE SPECIFIED DIMENSIONS ARE IN INCHES AND TOLERANCES ARE: 1 PLACE DECIMALS ±.125 2 PLACE DECIMALS ±.015 3 PLACE DECIMALS ±.005 ANGLES ±1° FRACTIONS ±1/32	FINISH	DRAWN	03-07-06	TITLE OUTLINE AE/AED ACTUATOR ON HUB		
	SURFACE FINISH 126	CNC TAPE NO.	CHECKED	03-07-06	SCALE	SIZE	DWG. NO.
	THIRD ANGLE PROJ.		ENGR	03-07-06	1:5	D	931-134-242
CAD GENERATED DOCUMENT DO NOT MANUALLY UPDATE				REF. 1	REF. 2	SHEET 1 OF 3	

REVISIONS				
REV.	DESCRIPTION	DATE	ECO/ECN	APPVL
	SEE SHEET # 1			



HORN DIMENSIONS	FREQUENCY			DIMENSION SHOWN ARE APPROXIMATE TO ALLOW FOR DIFFERENT BOOSTER GAIN HORN DESIGN. MATERIAL AND TUNING. ALL HORN DIMENSIONS ARE FOR 1/2 WAVE DESIGNS. ALLOW FOR ADJUSTABILITY AND POTENTIAL TOOLING CHANGE
	20 KHz	30 KHz	40 KHz	
	2.12 TO 2.75	1.30 TO 1.54	0.69 TO 0.94	
	5 TO 5.50	2.97 TO 3.80	2.5 TO 2.75	

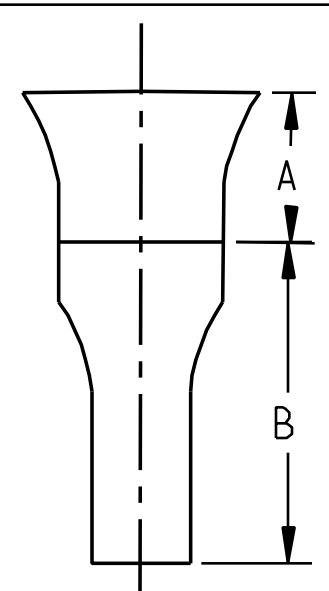
HORN WIDTH AND LENGTH WILL VARY WITH EACH DESIGN



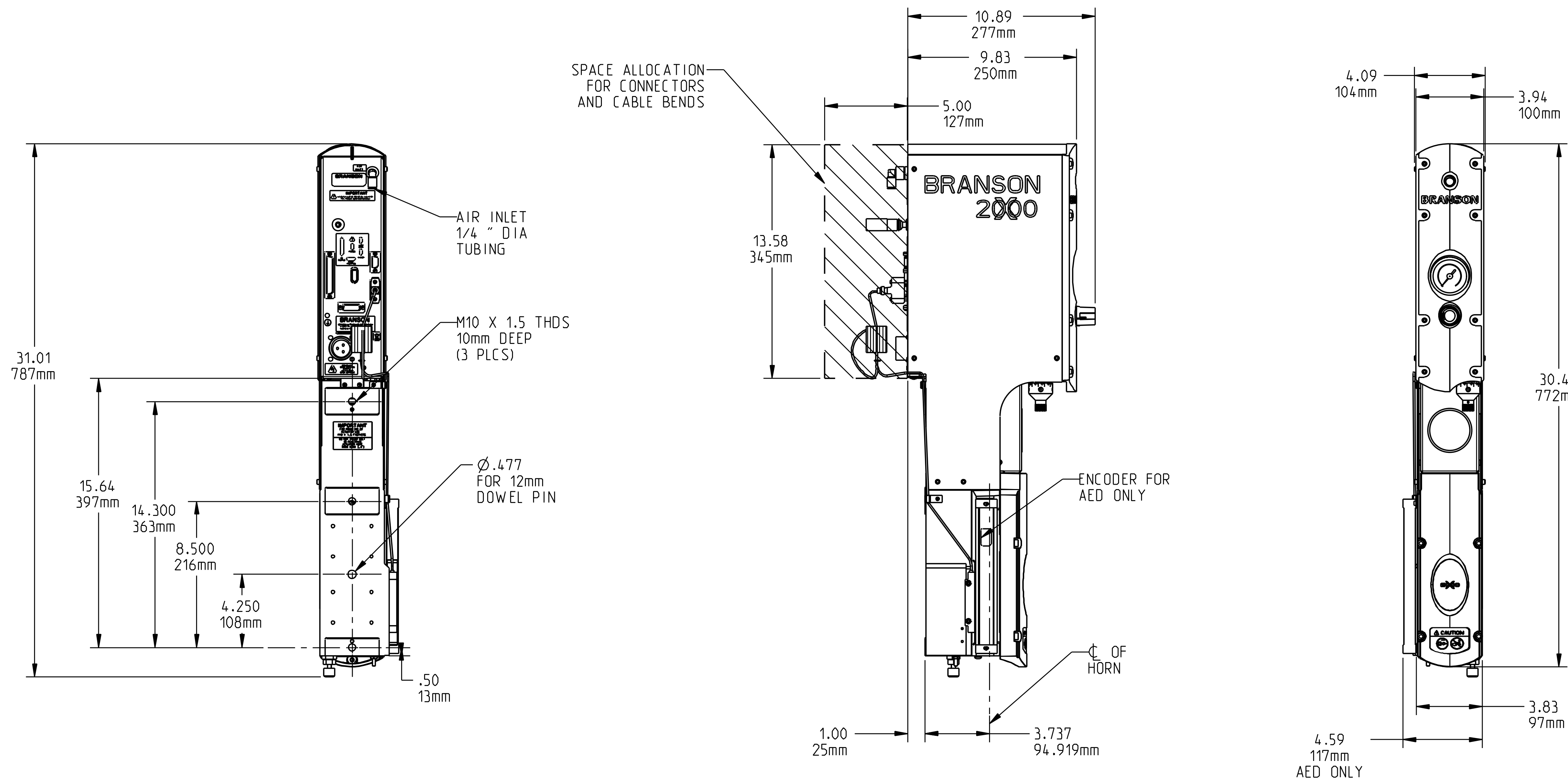
NOTES:
 1. ALL DIMENSIONS ARE APPROXIMATE.
 2. SEE SHEET 1 FOR HUB MOUNT.
 SHEET 3 FOR ACTUATOR ONLY.

<small>This PROPRIETARY Document is the property of Branson Ultrasonics Corp., Danbury CT. It is confidential in nature, non-transferable, and issued with the clear understanding that it is not to be copied without permission and is returnable upon demand. Article or Material must comply with the requirements stipulated by RoHS in its current version of 27 January, 2003.</small>	DO NOT SCALE THIS DRAWING. UNLESS OTHERWISE SPECIFIED DIMENSIONS ARE IN INCHES AND TOLERANCES ARE: 1 PLACE DECIMALS ±.125 2 PLACE DECIMALS ±.015 3 PLACE DECIMALS ±.005 ANGLES ±1° FRACTIONS ±1/32	MATERIAL	DATE	BRANSON ULTRASONICS CORP. <small>41 EAGLE ROAD, DANBURY, CT 06813-1961 (203) 796-0100</small>	
		FINISH	DRAWN	TITLE OUTLINE AE/AED ACTUATOR ON BASE	
CAD GENERATED DOCUMENT DO NOT MANUALLY UPDATE	THIRD ANGLE PROJ.	CNC TAPE NO.	CHECKED	ENGR	SCALE 1:5 SIZE D DWG. NO. 931-134-242 REF. 1 REF. 2 SHEET 2 OF 3

REVISIONS				
REV.	DESCRIPTION	DATE	ECO/ECN	APPVL
	SEE SHEET # 1			

HORN DIMENSIONS	FREQUENCY			DIMENSION SHOWN ARE APPROXIMATE TO ALLOW FOR DIFFERENT BOOSTER GAIN HORN DESIGN. MATERIAL AND TUNING. ALL HORN DIMENSIONS ARE FOR 1/2 WAVE DESIGNS. ALLOW FOR ADJUSTABILITY AND POTENTIAL TOOLING CHANGE
	20 KHz	30 KHz	40 KHz	
	2.12 TO 2.75	1.30 TO 1.54	0.69 TO 0.94	
	5 TO 5.50	2.97 TO 3.80	2.5 TO 2.75	

HORN WIDTH AND LENGTH WILL VARY WITH EACH DESIGN



NOTES:
 1. ALL DIMENSIONS ARE APPROXIMATE.
 2. FOR HUB MOUNT SEE SHEET 1.
 AND BASE MOUNT SEE SHEET 2.

<small>This PROPRIETARY Document is the property of Branson Ultrasonics Corp., Danbury CT. It is confidential in nature, non-transferable, and issued with the clear understanding that it is not to be copied without permission and is returnable upon demand. Article or Material must comply with the requirements stipulated by RoHS in its current version of 27 January, 2003.</small> CAD GENERATED DOCUMENT DO NOT MANUALLY UPDATE	DO NOT SCALE THIS DRAWING.	MATERIAL	DATE	BRANSON ULTRASONICS CORP. <small>41 EAGLE ROAD, DANBURY, CT 06813-1961 (203) 796-0100</small>								
	UNLESS OTHERWISE SPECIFIED DIMENSIONS ARE IN INCHES AND TOLERANCES ARE: 1 PLACE DECIMALS ±.125 2 PLACE DECIMALS ±.015 3 PLACE DECIMALS ±.005 ANGLES ±1° FRACTIONS ±1/32	FINISH	DRAWN	TITLE OUTLINE AE/AED ACTUATOR ALONE								
	SURFACE FINISH 126	CNC TAPE NO.	CHECKED	03-07-06	SCALE	1:5	SIZE	D	DWG. NO.	931-134-242	REV.	1
	THIRD ANGLE PROJ.		ENGR	03-07-06	REF. 1		REF. 2		SHEET	3 OF 3		