

Branson™ Sonifier Accessories

1" Diameter High-Intensity Cup Horn

Overview

Branson's water-jacketed cup horn ultrasonically processes samples in a test tube or a sealed vessel, thereby isolating the horn from the solution. One-piece solid titanium construction is utilized, allowing isolation of samples for treatment.

High-intensity cavitation is possible due to the horn's concaved shape. This design permits disruption of many cells and is used for emulsification, dispersion, creation of lipid vesicles, suspension, homo-genization, and degassing.

Approximate Overall Length: 7" (180mm)

Body Diameter: 3-9/16" (91mm)

Cavity Size: 1-3/4" (43mm)

Tapered Wall: 1-1/4" D (33mm)

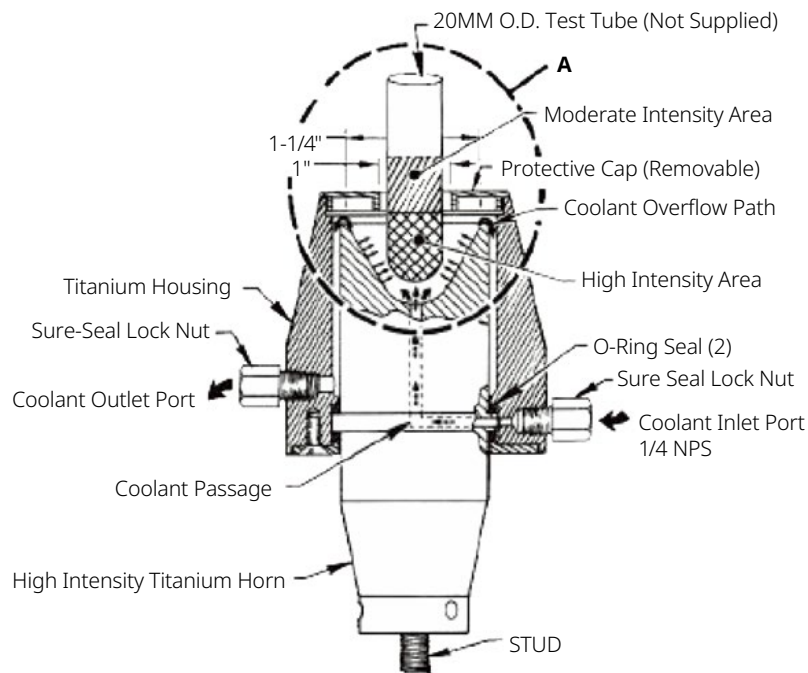


Typical Applications

- Blood chemistry
- HPLC solvent degassing
- Lipid vesicle preparation
- Pigment dispersion
- Tablet dispersion
- Tissue culture
- Waste homogenization
- Infectious solutions

Sonifier® Cup Horn

Part No. 101-147-046

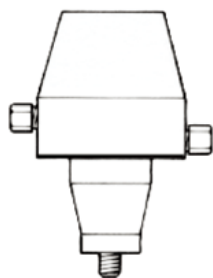


For more information:
www.Emerson.com/Branson

BRANSON™



EMERSON™



◀ **HIGH-INTENSITY CUP HORN FOR PROCESSING SINGLE SEALED VESSELS**
(Part No. 101-147-046)



◀ **CONVERTER** receives electrical energy from power supply and converts to 20,000 Hz mechanical vibration.



POWER SUPPLY provides electrical energy to converter which produces 20 kHz mechanical vibration.



Model SFX550 shown

Flow-thru horn compatible with SFX250 and SFX550